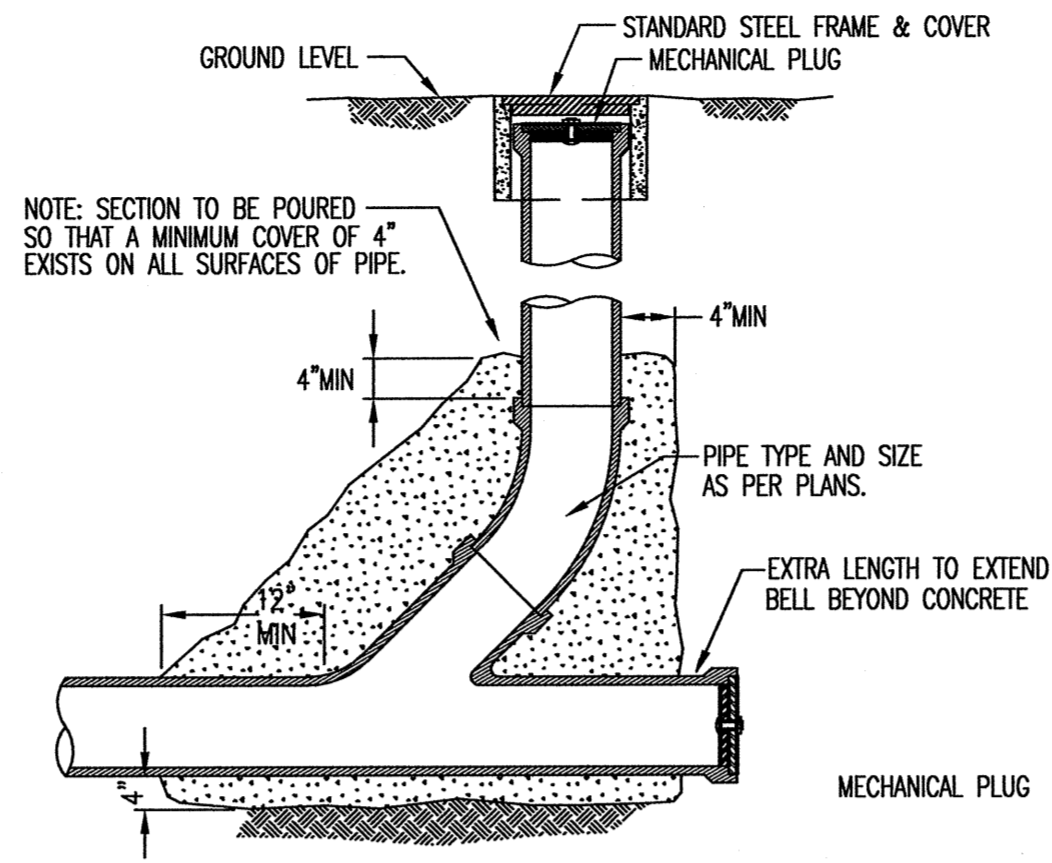
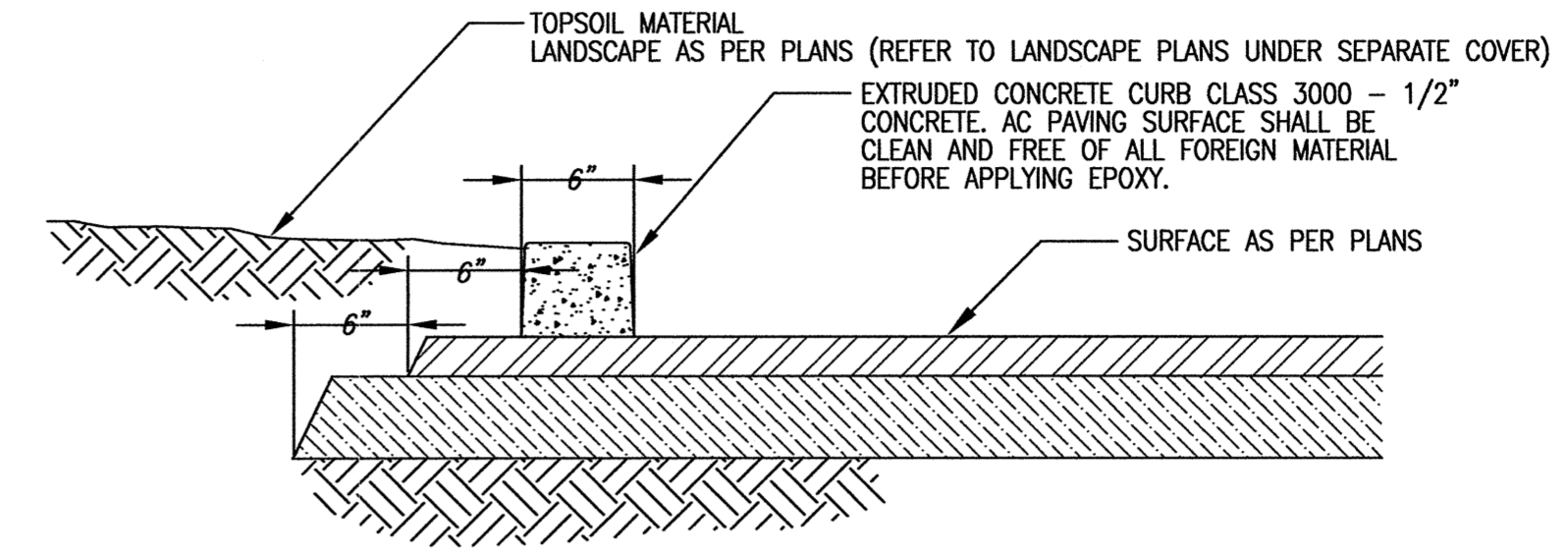


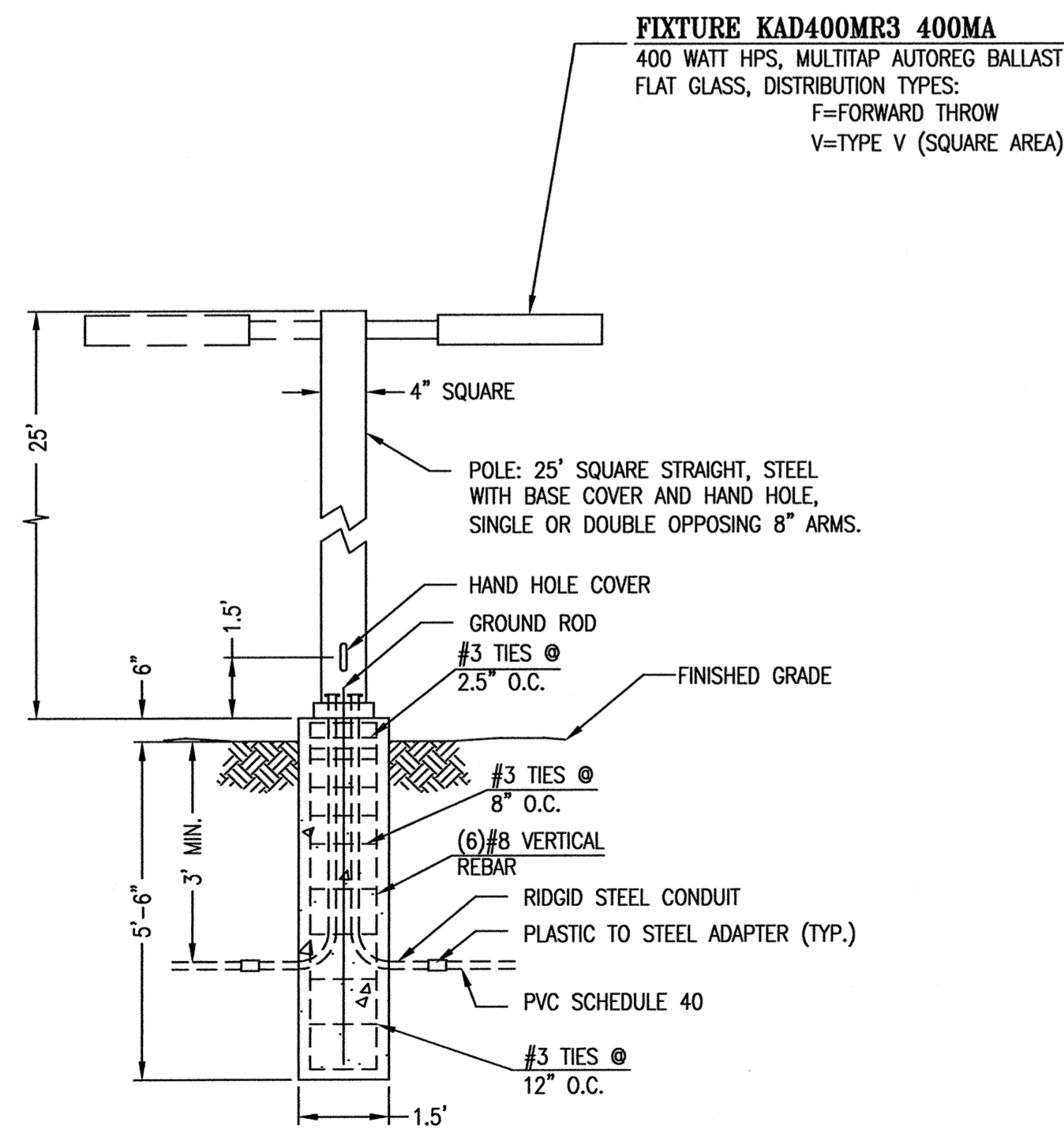
CATCH BASIN DETAIL
N.T.S.



CLEAN OUT DETAIL
N.T.S.

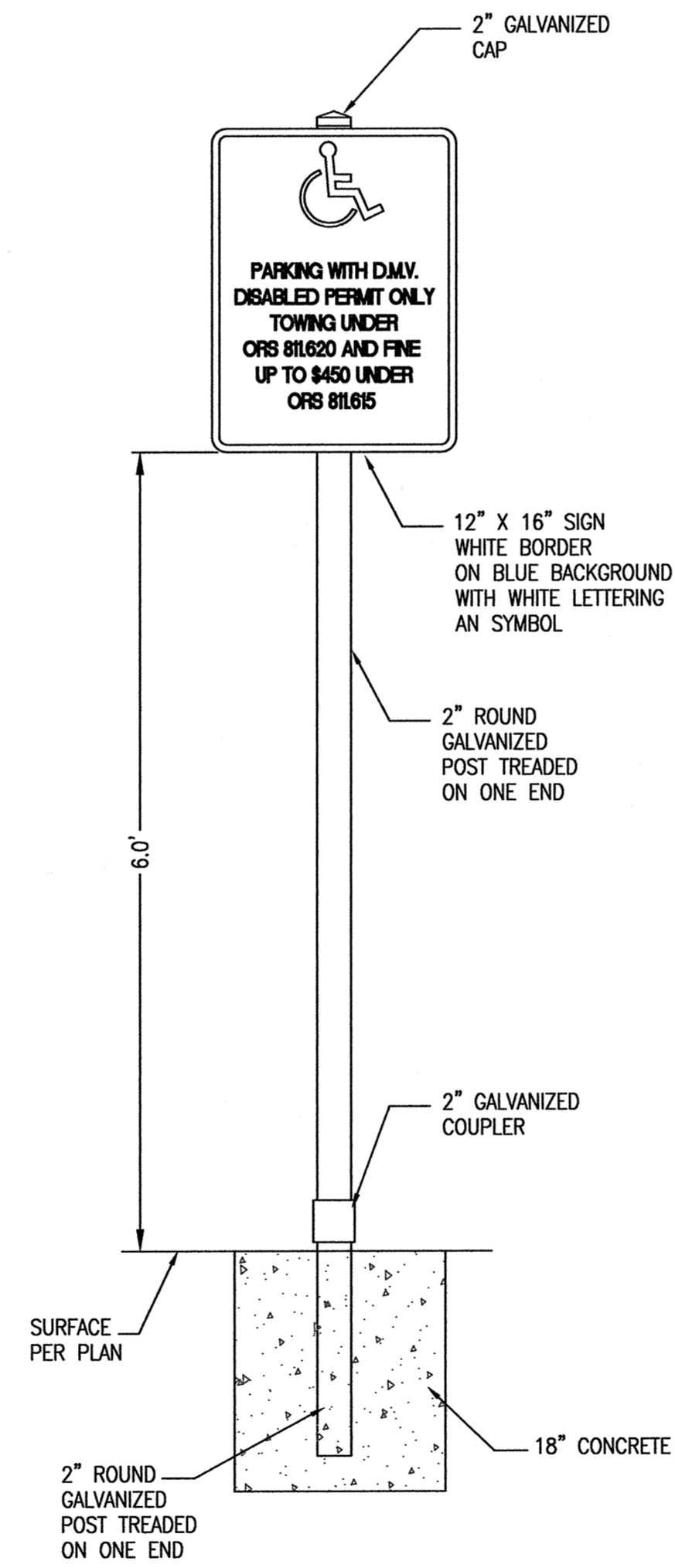


EXTRUDED CONCRETE CURB DETAIL
N.T.S.

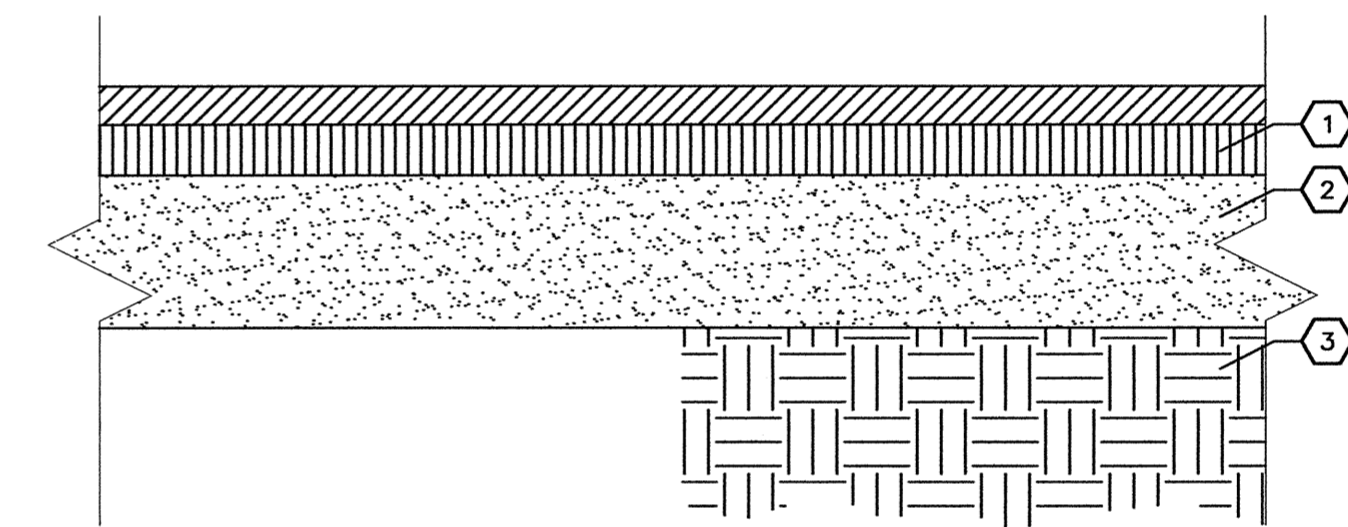


POLE & FIXTURE DETAIL
N.T.S.

NOTE: POLE BASE DESIGN FROM GE LIGHTING SYSTEMS MANUAL TYPE H FOUNDATION



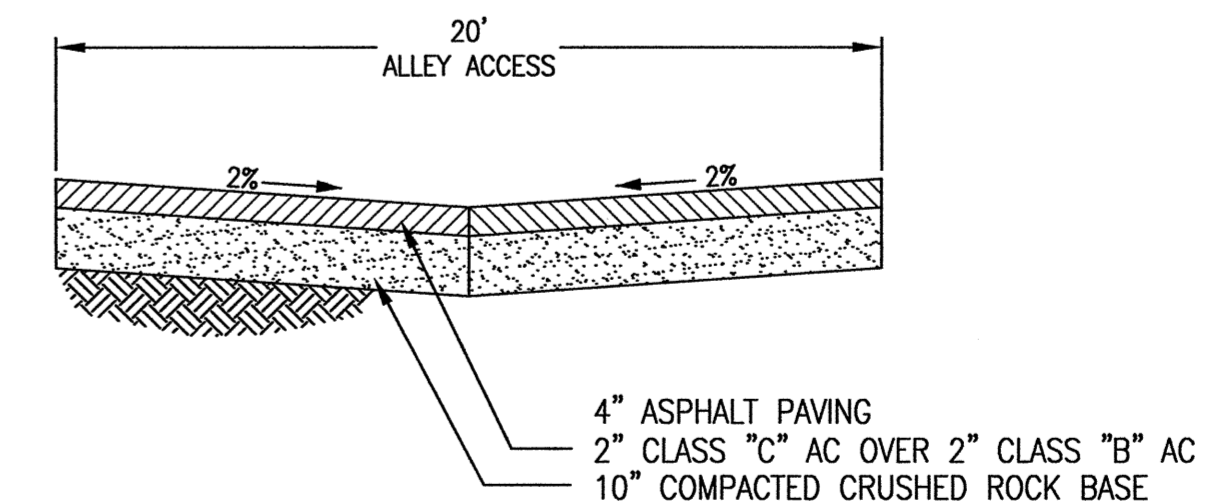
POLE MOUNTED ADA SIGN DETAIL
N.T.S.



PAVEMENT SECTION DETAIL
N.T.S.

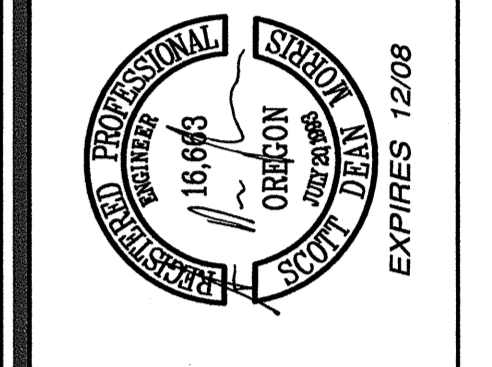
KEYED NOTES

- 1 3" ASPHALT PAVING- 1.5" CLASS "C" OVER - 1.5" CLASS "B" AC
- 2 10" (MIN.) CLEAN, GRADED AND COMPACTED STONE (NO SLAG).
- 3 WELL-DRAINED SUB-GRADE (SUB-GRADE TO MODIFIED 95 PROCTOR MIN. COMPACTION).



ALLEY CROSS SECTION
N.T.S.

Olson & Morris
Consulting Engineers & Surveyors
380 O. ST. SUITE 200
SPRINGFIELD, OR 97477
PHONE: (541) 302-9790
FAX: (541) 485-3253
scott@olsonandmorris.com



Civil Details
for
Creswell City Hall
Creswell Lane County Oregon

DATE: 6/24/08	PROJECT No: 3988	SCALE: HORIZ: 1"=20'	REVIEWED BY:	REVIEWED BY:	REVIEWED BY:	COA:
1. Permit Submittal 7-9-08						

REVISIONS:	
1. Permit Submittal 7-9-08	

SHEET
C4
of
4