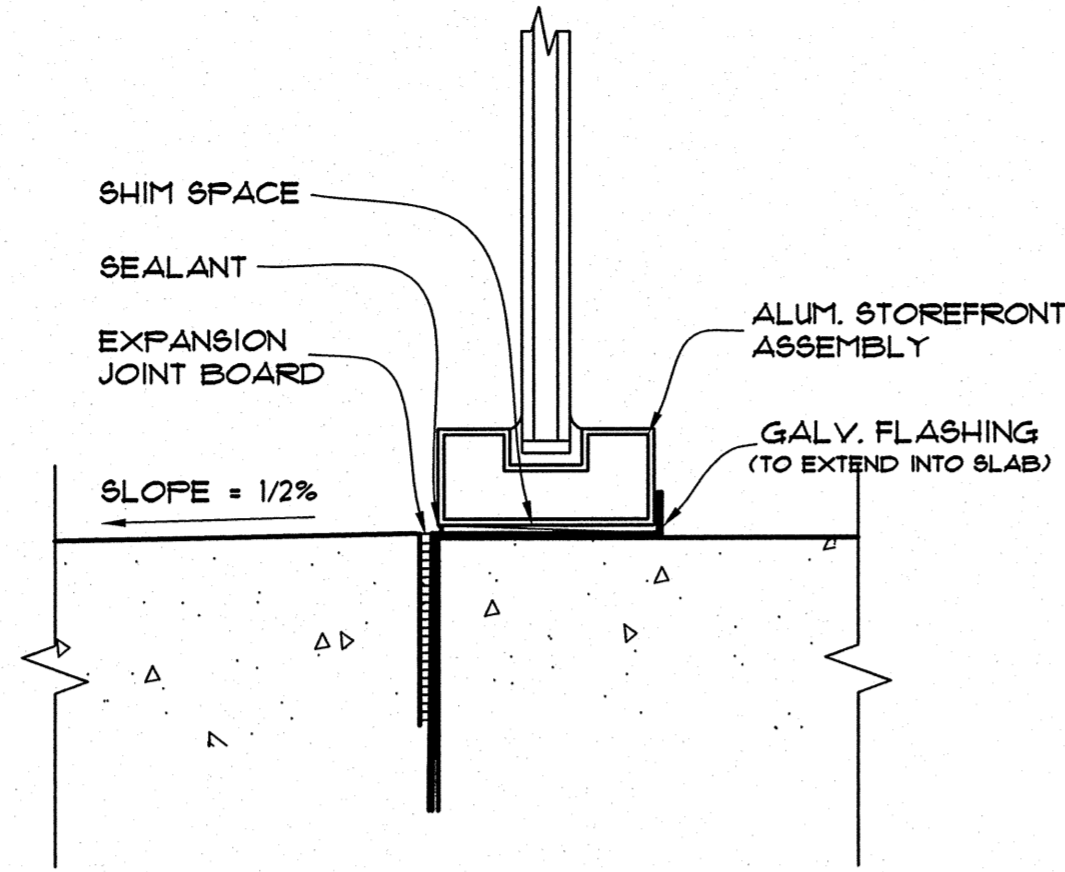
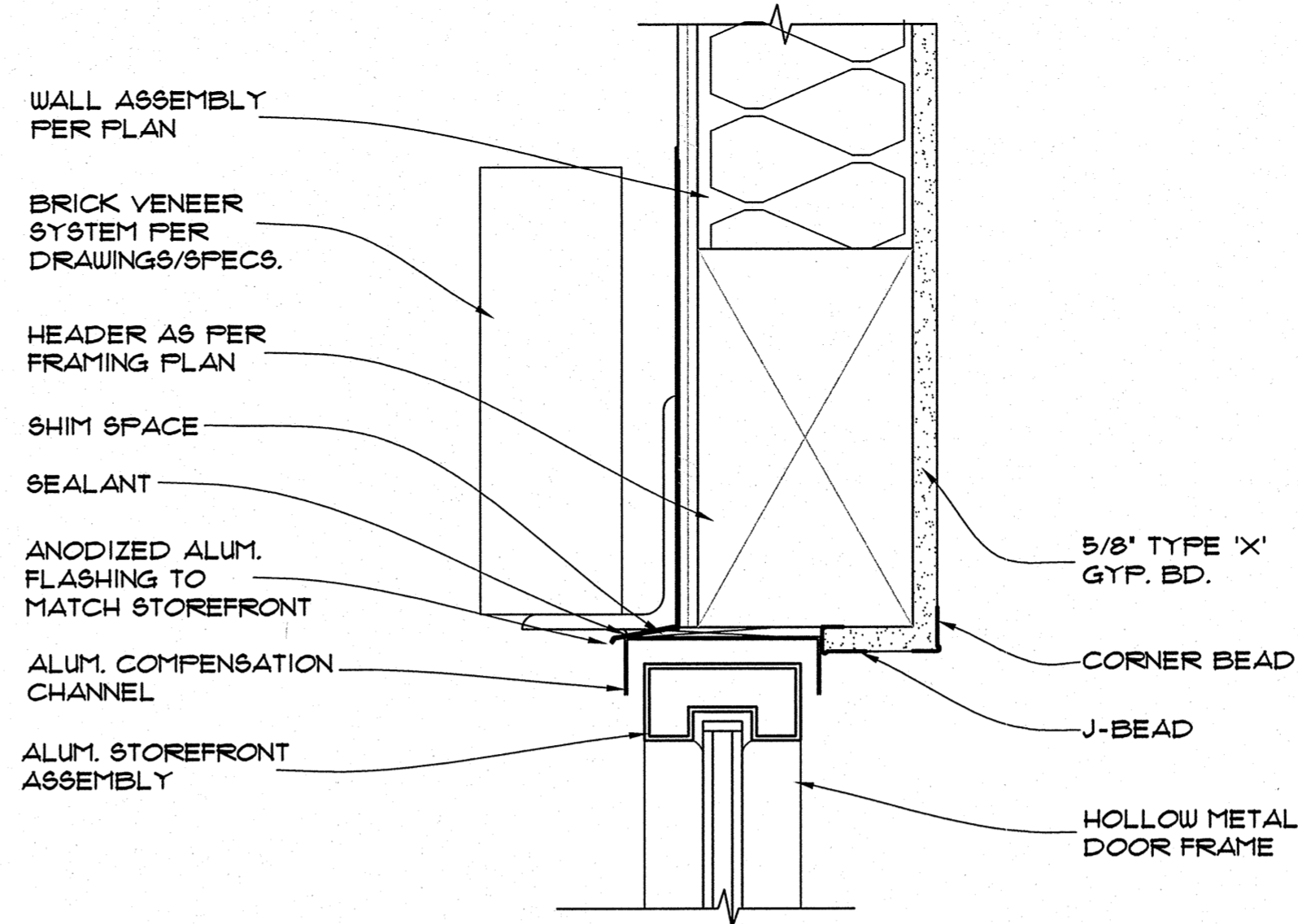


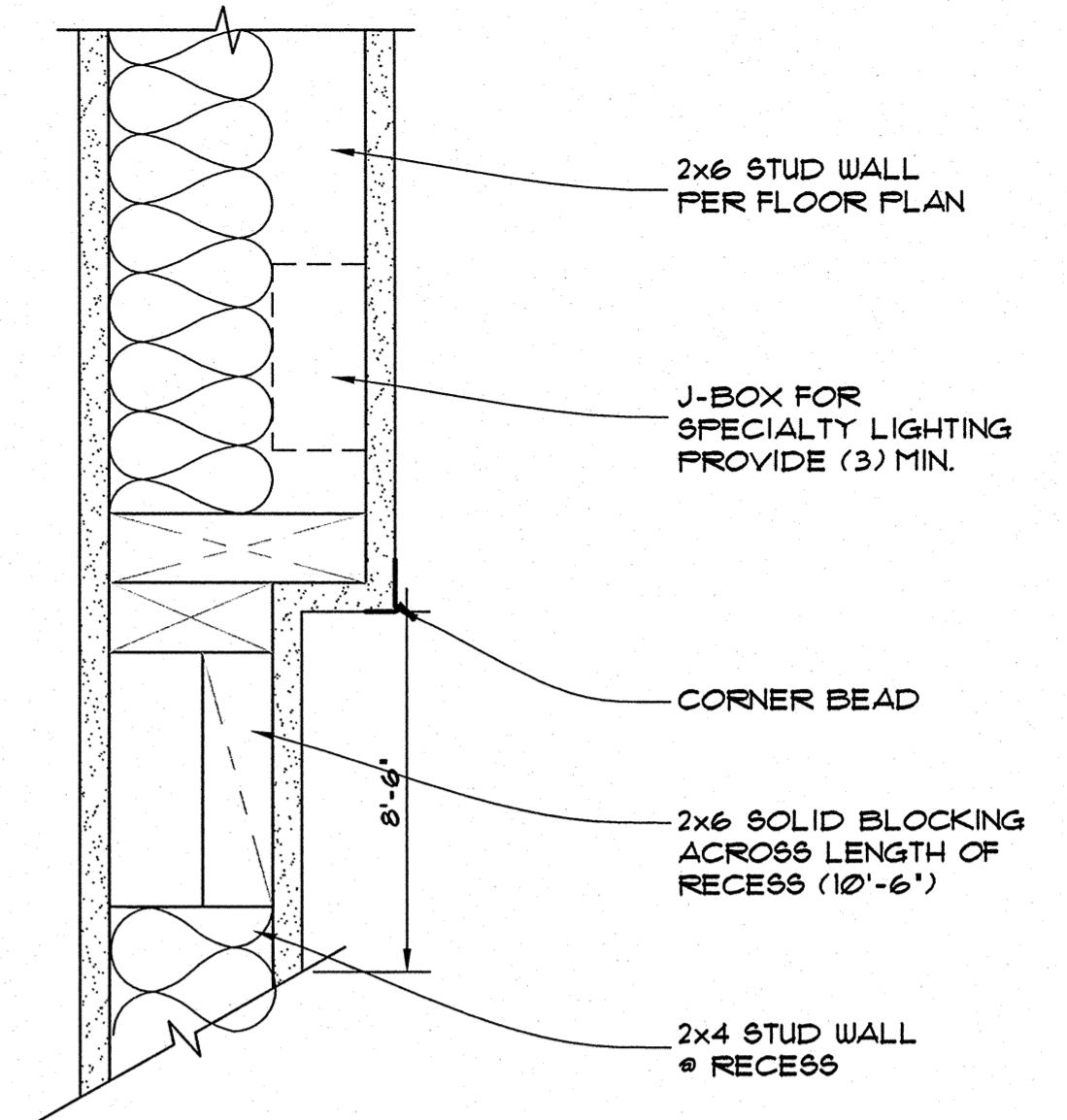
1 DETAIL TIMELY DOOR HEAD (WIN. 61M)
A-B1 SCALE: 3" = 1'-0"



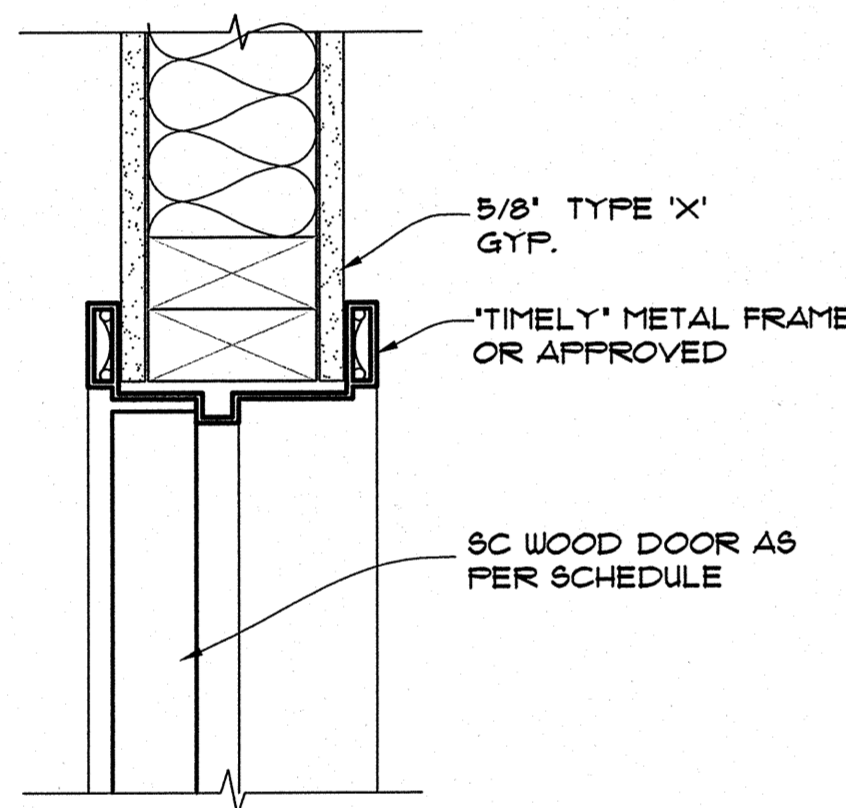
2 DETAIL STOREFRONT WDW SILL
A-B1 SCALE: 3" = 1'-0"



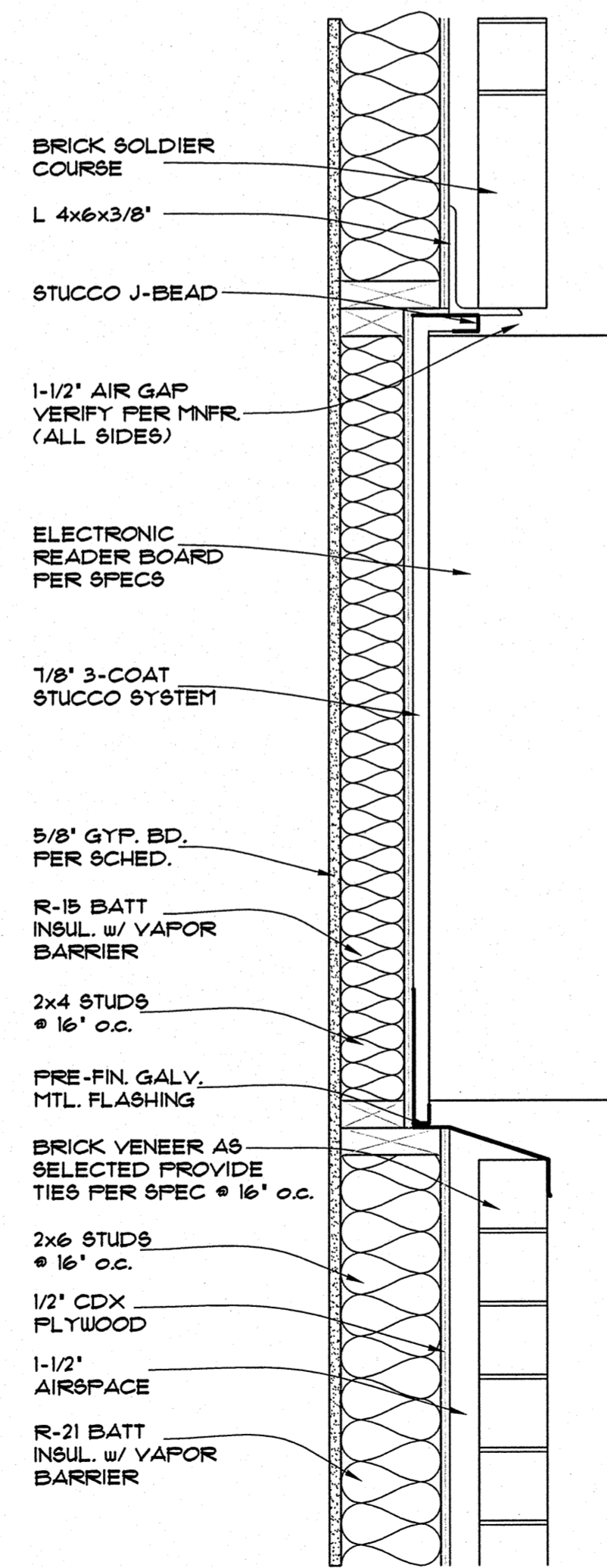
3 DETAIL STOREFRONT HEAD
A-B1 SCALE: 3" = 1'-0"



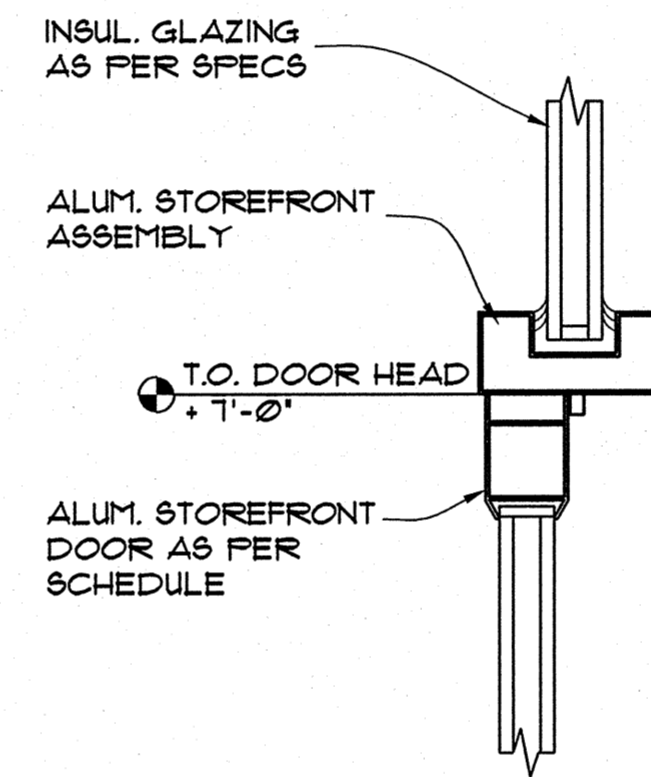
4 DETAIL QUILT RECESS HEAD (JAMB. 61M)
A-B1 SCALE: 3" = 1'-0"



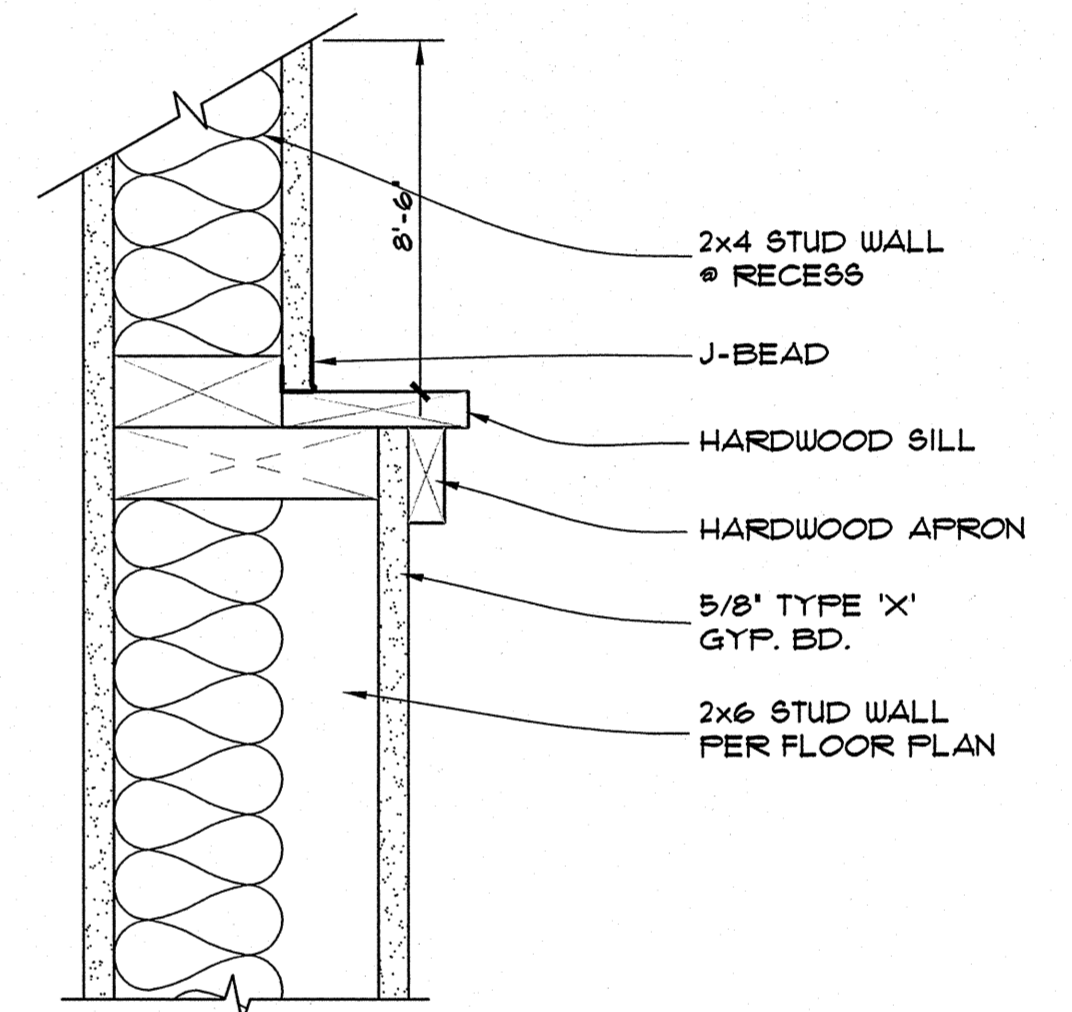
5 DETAIL TIMELY DOOR JAMB (WIN. 61M)
A-B1 SCALE: 3" = 1'-0"



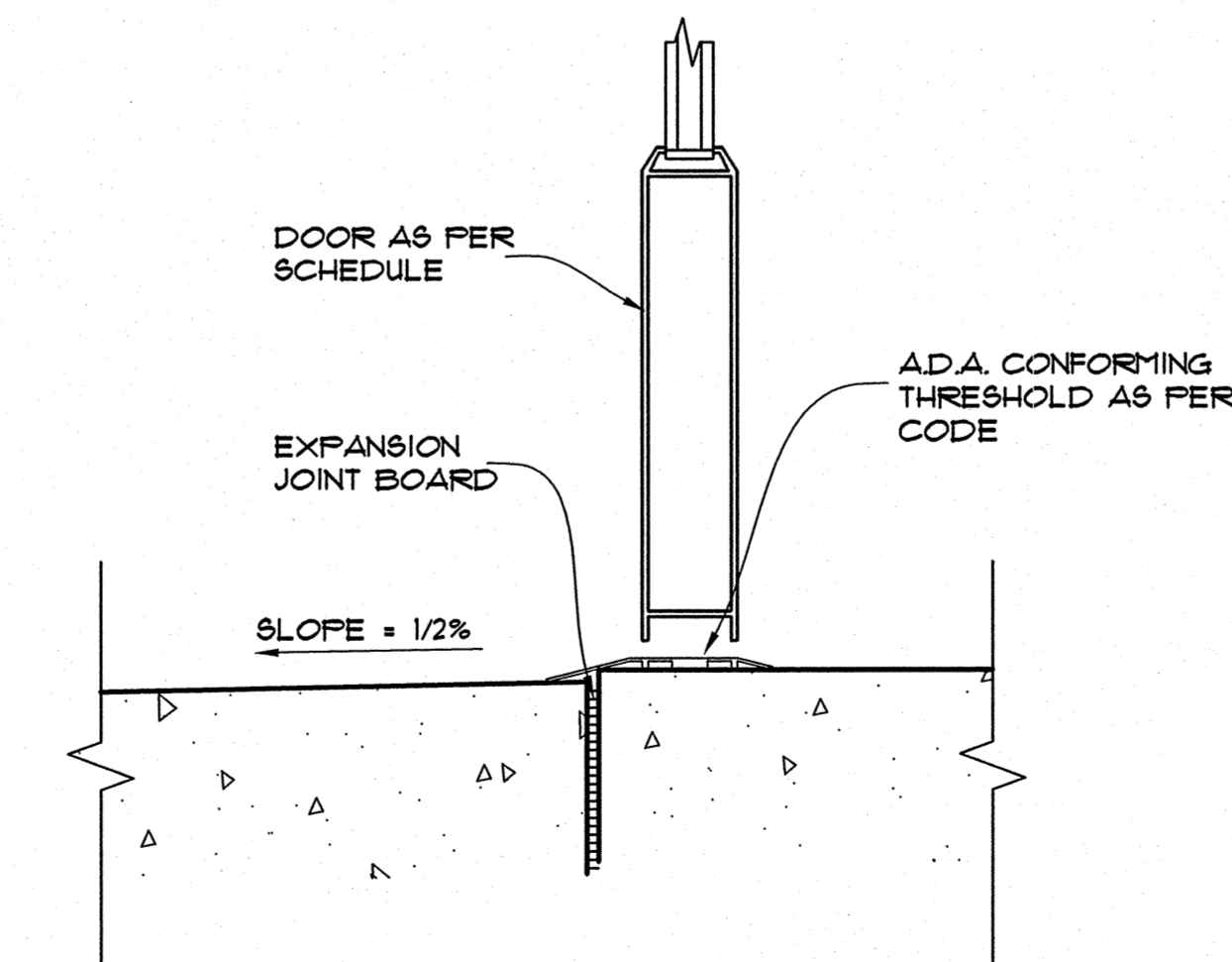
10 DETAIL STOREFRONT WDW SILL
A-B1 SCALE: 3" = 1'-0"



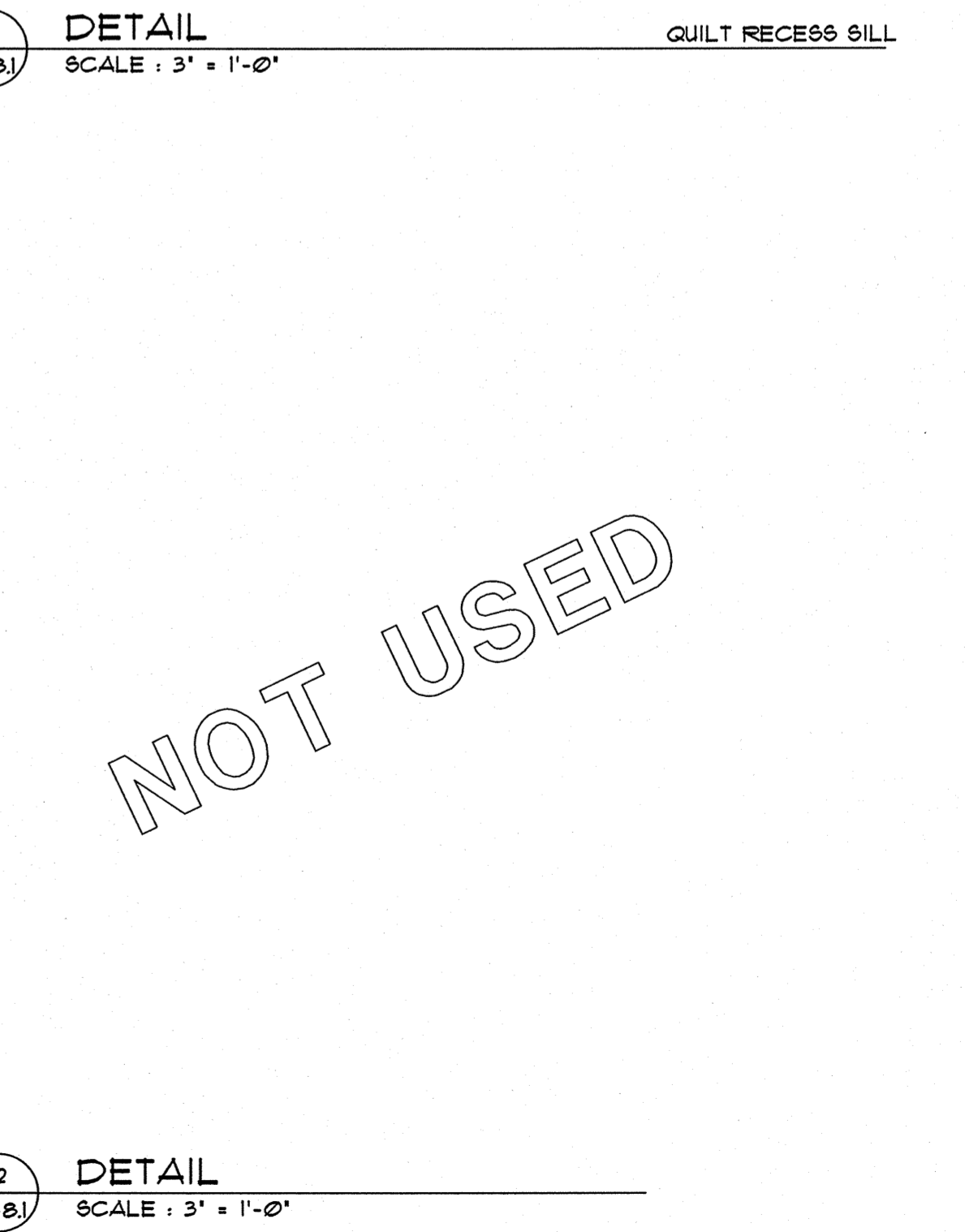
7 DETAIL STOREFRONT JAMB
A-B1 SCALE: 3" = 1'-0"



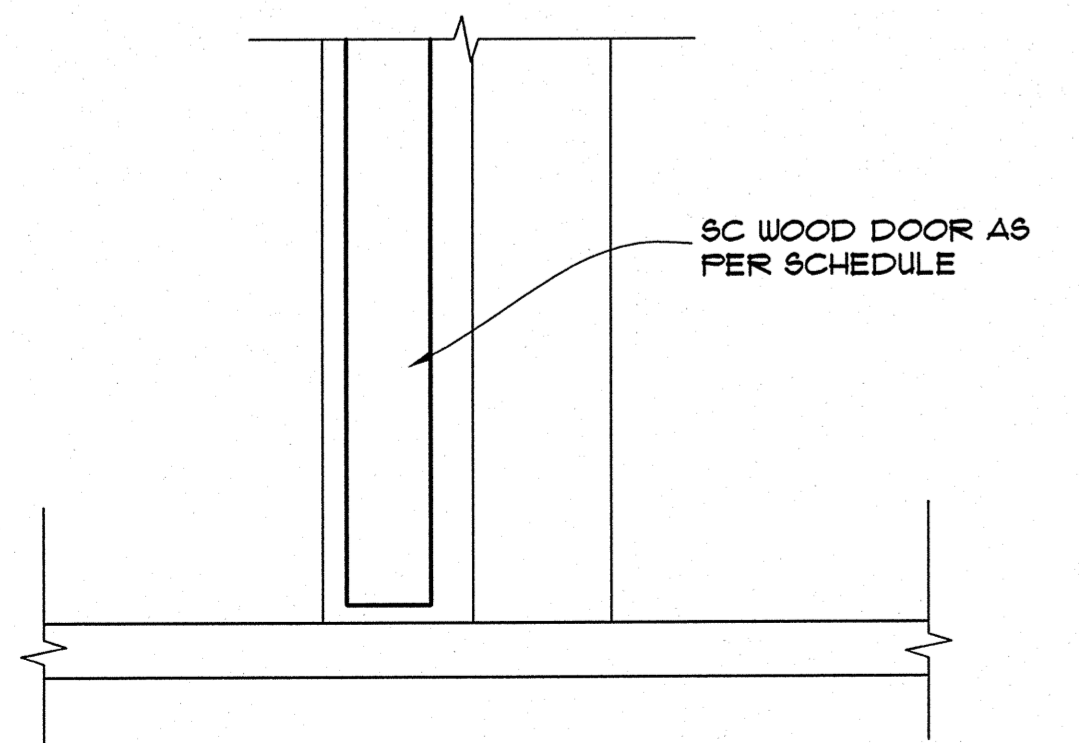
8 DETAIL QUILT RECESS SILL
A-B1 SCALE: 3" = 1'-0"



11 DETAIL STOREFRONT DOOR SILL
A-B1 SCALE: 3" = 1'-0"



12 DETAIL QUILT RECESS SILL
A-B1 SCALE: 3" = 1'-0"



9 DETAIL TIMELY DOOR SILL
A-B1 SCALE: 3" = 1'-0"

NOT USED