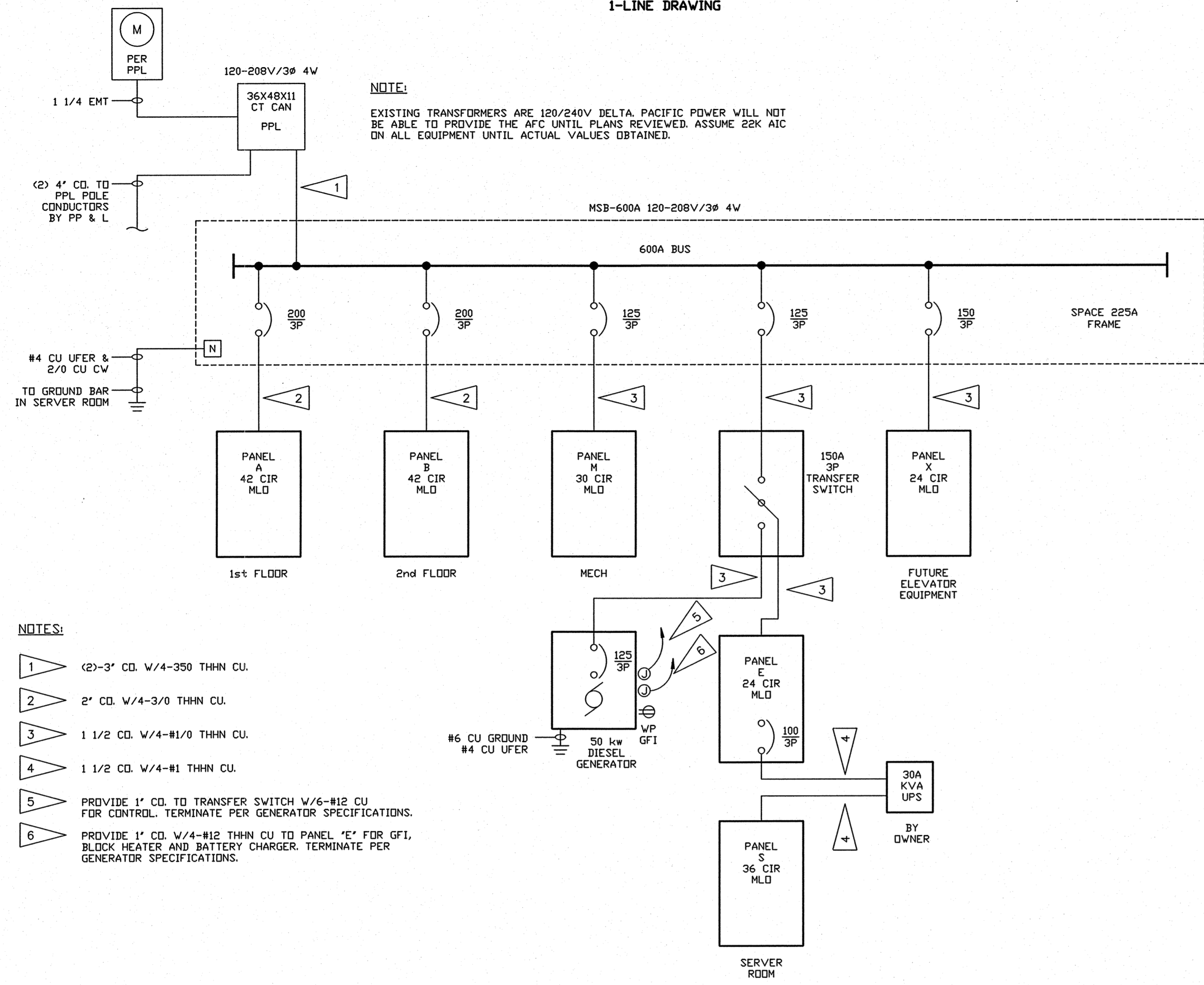


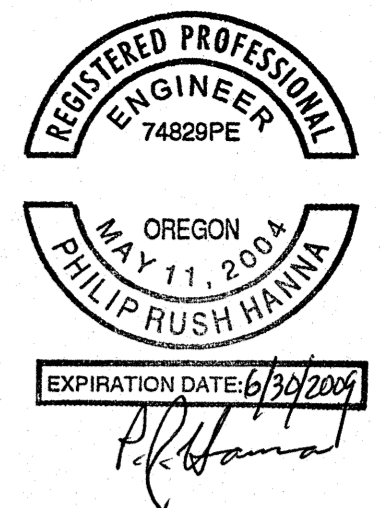
CRESWELL CITY HALL
I-LINE DRAWING



NOTE:
EXISTING TRANSFORMERS ARE 120/240V DELTA. PACIFIC POWER WILL NOT BE ABLE TO PROVIDE THE AFC UNTIL PLANS REVIEWED. ASSUME 22K AFC ON ALL EQUIPMENT UNTIL ACTUAL VALUES OBTAINED.

- NOTES:**
- 1 (2)-3" CD. W/4-350 THHN CU.
 - 2 2" CD. W/4-3/0 THHN CU.
 - 3 1 1/2" CD. W/4-#1/0 THHN CU.
 - 4 1 1/2" CD. W/4-#1 THHN CU.
 - 5 PROVIDE 1" CD. TO TRANSFER SWITCH V/6-#12 CU FOR CONTROL. TERMINATE PER GENERATOR SPECIFICATIONS.
 - 6 PROVIDE 1" CD. W/4-#12 THHN CU TO PANEL 'E' FOR GFI, BLOCK HEATER AND BATTERY CHARGER. TERMINATE PER GENERATOR SPECIFICATIONS.

ELECTRICAL SYMBOLS	
<p>LIGHTING OUTLETS</p> <ul style="list-style-type: none"> ⊙ CEILING ○ WALL ⊗ EXIT LIGHT AND OUTLET BOX. SHADED AREAS DENOTE FACES ⊘ OUTDOOR POLL-MOUNTED FIXTURES ⊙ JUNCTION BOX ⊕ EMERGENCY BATTERY PACK WITH CHARGER ⊖ INDIVIDUAL FLUORESCENT FIXTURE ⊗ OUTLET BOX AND FLUORESCENT LIGHTING TRACK FIXTURE ⊙ SURFACE MOUNTED FLUORESCENT FIXTURE <p>PANEL BOARDS</p> <ul style="list-style-type: none"> ▬ FLUSH MOUNTED PANELBOARD AND CABINET ▬ SURFACE MOUNTED PANELBOARD AND CABINET 	<p>CONVIEENCE OUTLETS</p> <ul style="list-style-type: none"> ⊙ SINGLE RECEPTACLE OUTLET ⊕ DUPLEX RECEPTACLE OUTLET ⊕ FOUR-PLEX RECEPTACLE ⊕ GFI RECEPTACLE OUTLET ⊕ SPLIT WIRED DUPLEX RECEPTACLE OUTLET ⊕ SPLIT WIRED TRIPLEX RECEPTACLE OUTLET ⊕ SINGLE SPECIAL PURPOSE RECEPTACLE OUTLET ⊕ GFI RECEPTACLE WEATHERPROOF ⊕ RANGE OUTLET ⊕ SPECIAL PURPOSE CONNECTION ⊕ CLOCK HANGER RECEPTACLE ⊕ FAN HANGER RECEPTACLE ⊕ FLOOR SINGLE RECEPTACLE OUTLET ⊕ FLOOR DUPLEX RECEPTACLE OUTLET ⊕ FLOOR SPECIAL PURPOSE OUTLET ⊕ FLOOR DUPLEX RECEPTACLE OUTLET ⊕ MOTION SENSOR ⊕ PHOTO-CELL ⊕ CONTACTOR ⊕ TIME-CLOCK
<p>SWITCH OUTLETS</p> <ul style="list-style-type: none"> ⊕ SINGLE POLE SWITCH ⊕ DOUBLE POLE SWITCH ⊕ THREE WAY SWITCH ⊕ FOUR WAY SWITCH ⊕ AUTOMATIC DOOR SWITCH ⊕ KEY OPERATED SWITCH ⊕ SINGLE POLE SWITCH WITH OCCUPANCY SENSOR 	<p>SIGNALING SYSTEMS FOR RESIDENTIAL SYSTEMS</p> <ul style="list-style-type: none"> ⊕ DIMMER ⊕ SWITCH MOTION SENSOR ⊕ WEATHER PROOF SWITCH ⊕ TIME SWITCH ⊕ A STANDARD SYMBOL WITH AN ADDED LOWERCASE SUBSCRIPT LETTER IS USED TO DESIGNATE A VARIATION IN STANDARD EQUIPMENT
<p>COMMERCIAL AND INDUSTRIAL SYSTEMS</p> <ul style="list-style-type: none"> ⊕ PAGING SYSTEM DEVICE ⊕ FIRE ALARM SYSTEM DEVICE ⊕ COMPUTER DATA SYSTEM DEVICE ⊕ PRIVATE TELEPHONE SYSTEM DEVICE ⊕ SOUND SYSTEM ⊕ FIRE ALARM CONTROL PANEL 	<p>SIGNALING SYSTEMS FOR RESIDENTIAL SYSTEMS</p> <ul style="list-style-type: none"> ⊕ PUSHBUTTON ⊕ BUZZER ⊕ BELL ⊕ BELL AND BUZZER COMBINATION ⊕ COMPUTER DATA OUTLET ⊕ BELL RINGING TRANSFORMER ⊕ CHIME ⊕ TELEVISION OUTLET ⊕ THERMOSTAT
<p>PANEL CIRCUITS AND MISCELLANEDUS</p> <ul style="list-style-type: none"> ⊕ WIRING CONCEALED IN CEILING OR WALL ⊕ WIRING CONCEALED IN FLOOR ⊕ WIRING EXPOSED 	<p>(2) #12 WIRE SIZE</p> <ul style="list-style-type: none"> ⊕ HOME RUN TO PANEL BOARD. ⊕ GROUND ⊕ M-B ⊕ NEUTRAL ⊕ (CURRENT CARRYING CONDUCTORS) ⊕ PANEL & CIRCUIT



NAGAO HANSEN
ARCHITECTURAL PROFESSIONAL CORPORATION
ARCHITECTURE AND PLANNING
1680 PEARL STREET, FAX 541/687-8142
EUGENE, OREGON 97401 541/687-9600

CRESWELL CITY HALL
13 SOUTH FIRST STREET - CRESWELL, OREGON

FOR PERMIT : 7-14-08
JOB 1835-07
DR DUM RM
REV
REV
LAST EDIT: 7-14-08
PLOT DATE: 7-14-08

E-5